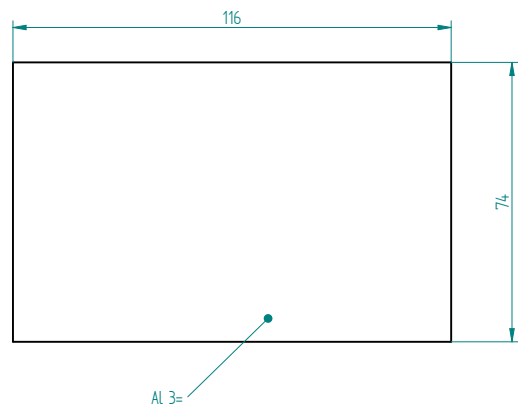
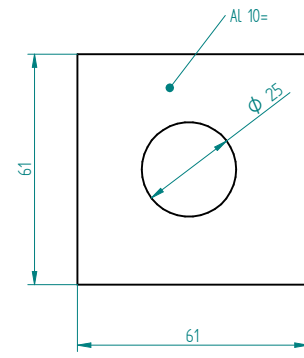
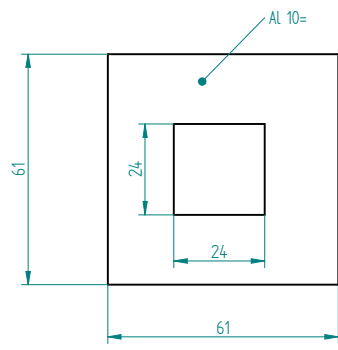
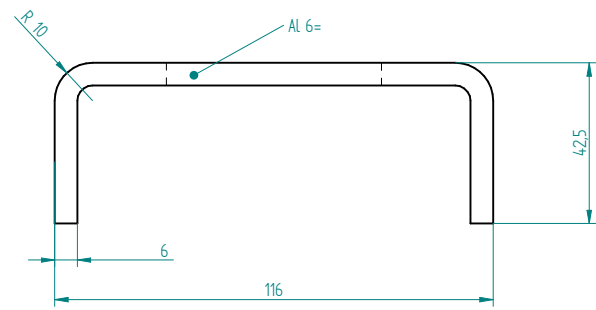
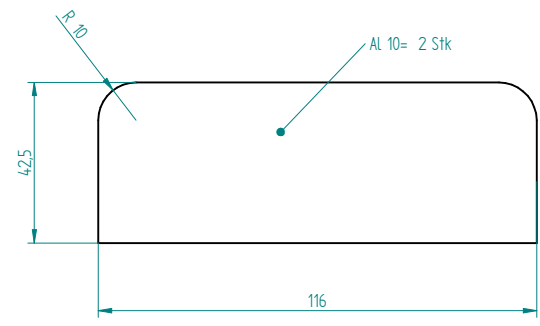
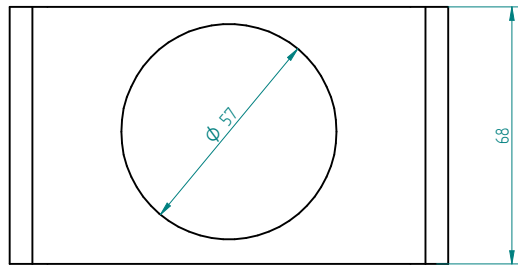


REVISION HISTORY			
REV	DESCRIPTION	DATE	APPROVED



Alle fehlenden Maße sind noch nicht relevant!
Entgraten nicht erforderlich!

DRAWN	M.Gruber	DATE	06/11/14	GRUBER Mechatronik TITLE Axiom Beta Lasercut Parts	
CHECKED					
ENG APPR					
MGR APPR					
UNLESS OTHERWISE SPECIFIED DIMENSIONS ARE IN MILLIMETERS ANGLES +XX° 2 PL +XXX 3 PL +XXXX				SIZE	A2
				DWG NO	M03.01
				REV	0
				FILE NAME	Laser_cut_parts.dft
				SCALE	WEIGHT
				SHEET 1 OF 1	